

RS-485 中继器简易手册

本指南简要介绍了 RS-485 中继器 (型号: EC-IRS485-HUB) 的接线图、接口和安装尺寸。EC-IRS485-HUB 最高支持 115200Kbps 波特率, 在 RS-485 总线起到中继、隔离、滤波的作用, 以提升 RS-485 总线的通讯质量。

拨打服务热线 400-700-9997 或访问 www.invt.com.cn 获取更多信息及资源下载。保修条款详见完整版电子说明书。

扫描二维码, 查阅对应系列产品完整电子说明书。



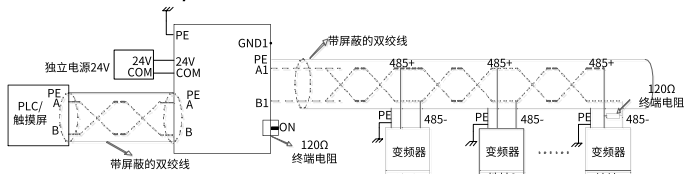
警告

- 本指南仅包含基本的安装调试信息。若不遵守相关文档中的安全说明和安装调试说明, 可能导致设备损坏、人身伤害、甚至人员死亡等事故。
- 只有培训合格的专业人员才允许进行相关操作。

危险

- 禁止在电源接通的情况下进行接线、检查或更换器件等作业。进行这些作业前, 须确认所有输入电源已断开, 并等待不短于变频器上标注的时间。

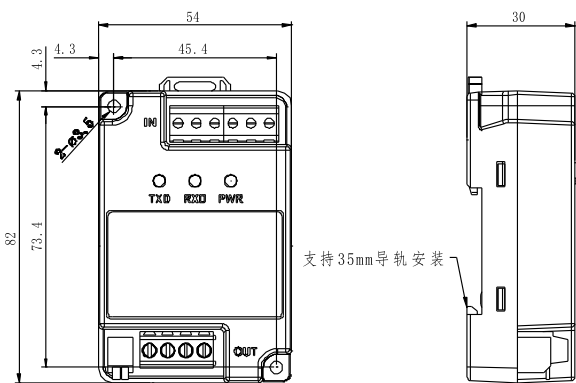
1 RS-485 点到多点/两线半双工中继通信接线图



2 接口定义

类型	描述	定义
输入端	PE	输入 PE, 良好接到大地
	24V	RS-485 隔离板供电, 9~36VDC
	COM	
	PE	输入端的屏蔽层接线
	A B	输入端 RS-485 总线接线, 使用屏蔽双绞线, 接 PLC 或计算机
输出端	GND1	预留与变频器 GND 短接, 默认不接
	PE	输出端的屏蔽层接线
	A1 B1	输出端 RS-485 总线接线, 使用屏蔽双绞线, 接变频器
	拨码	RS-485 总线的终端电阻, 根据情况拨码

3 安装尺寸



RS-485 Repeater Quick Start Guide

This guide briefly describes the wiring diagram, interface and installation dimensions of RS-485 repeater (Model: EC-IRS485-HUB). The EC-IRS485-HUB, capable of operating at up to 115200 Kbps, improves RS-485 bus communication reliability through signal repeating, electrical isolation, and noise filtering capabilities.

Visit www.invt.com for more information and source download. For details, see the full version of corresponding product e-manual.

Scan the QR code to view the full version of corresponding series product e-manual.



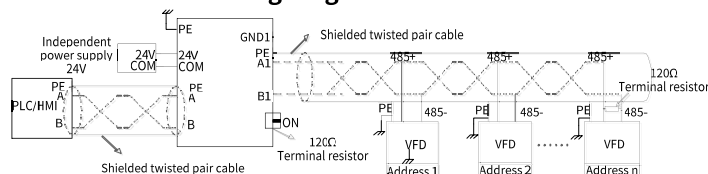
Warning

- This guide only provides the basic installation and commissioning information. Failure to comply with the safety instructions and installation and commissioning instructions in the relevant documentation may result in accidents such as equipment damage, personal injury, or even death.
- Only trained and qualified professionals are allowed to carry out related operations.

Danger

- Do not perform any operations including wiring, inspection, or component replacement when power supply is applied. Before performing these operations, ensure all the input power supplies have been disconnected, and wait for at least the time designated on the VFD.

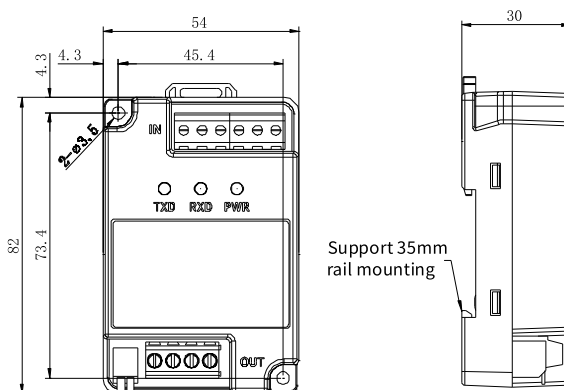
1 RS-485 point-to-multipoint/two-wire half-duplex repeater communication wiring diagram



2 Interface

Type	Description	Definition
Input Terminal	PE	Input PE, securely connected to the ground
	24V	RS-485 isolation board power supply, 9~36 VDC
	COM	
	PE	Input terminal shield layer connection
	A B	Input terminal RS-485 bus wiring, use shielded twisted pair (STP) cable to connect the input terminal to the PLC or computer
Output Terminal	GND1	Reserved for shorting to VFD GND, not connected by default
	PE	Output terminal shield layer connection
	A1 B1	Output terminal RS-485 bus wiring, use shielded twisted pair (STP) cable to connect the output terminal to the VFD
	DIP switch	RS-485 bus termination resistor, enable/disable via DIP switch based on network requirements

3 Installation dimensions



66001-01460



66001-01460